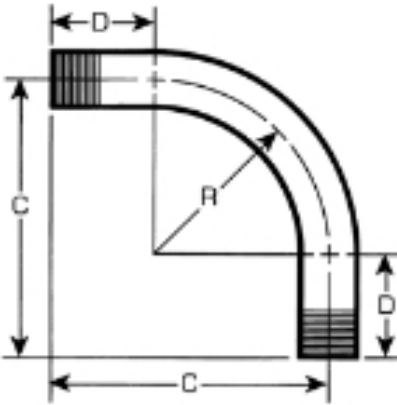


Elbows-PVC Coated
T&B Catalog Number:

ELL1-G
 70450836988
 Active

UPC Number:
Status:
Description:

Standard Radius Elbow, 40 Mil PVC Coated, Pipe Size 1 Inch/27 Metric, Angle 90 Degrees, Radius 5-3/4 Inch/146.05 Millimeters, Offset 8 Inch/203.20 Millimeters, Straight End 2-1/4 Inch/57.15 Millimeters, Unbent Length 13.53 Inch/343.71 Millimeters, Hot-Dip Galvanized Rigid Steel, Gray



Features

- A minimum .040 in. (40 mil) PVC coating on the exterior.
- A nominal .002 in. (2 mil) blue urethane on the interior.
- Ocal-Blue standard radius elbows are factory bent to reduce the time and wasted materials that can result from field bending.
- Color coded thread protectors on each end.

General

Custom_Finish	sre_190
Material	Steel
Finish	Hot-Dip Galvanized
Color	Dark Gray
Thread Protector Color	Blue

Dimension Information

Pipe Size (Metric Size Designator*)	27
Size (inches)	1
Degree of Bend	90
Radius-R (inches)	5.75
Radius-R (mm)	146.05
Offset-C (feet/inches)	8.63
Offset-C (inches)	8.63
Offset-C (mm)	219.202
Straight End-D (inches)	2.88
Straight End-D (mm)	73.152
Unbent Length (inches)	14.75
Unbent Length (mm)	374.65

Technical Information

Chemical Resistance Chart	Available on Website
---------------------------	----------------------

Specifications

Ocal Specification Guide-1995 Master Format-PDF	Available on Website
Ocal Specification Guide-1995 Master Format-DOC	Available on Website
Ocal Specification Guide-2004 Master Format-PDF	Available on Website
Ocal Specification Guide-2004 Master Format-DOC	Available on Website

Packaging

Package in Units	20
------------------	----

T&B Sold in UOM	Each
T&B Weight Per UOM	2.1 lbs. Each

Application Support

T&B Sales Drawings	wsd-000551
Ocal Specifications	Available on Website
Recommended Installation Procedures	Available on Website
NEMA Standards-RN 1	Available on Website
NEC 310-16 - Conductors for General Wiring	Available on Website
NEC Table 8	Available on Website

Notes

Metric size designator (ANSI C80. 1-1994)
Dimensional values are of uncoated elbows.

Certifications

RoHS Compliance	No
-----------------	----

Certifications



File Nbr:
E 46453

For further technical assistance, please contact us...

Thomas & Betts - USA
8155 T&B Blvd.
Memphis, TN 38125
www.tnb.com

T&B Technical Support
MS 3B-50
8155 T&B Blvd.
Memphis, TN 38125

Hours: 7AM - 6PM CDT
Monday-Friday
Phone: (888) 862-3289
Fax: (901) 252-1321
Email:techsupport@tnb.com